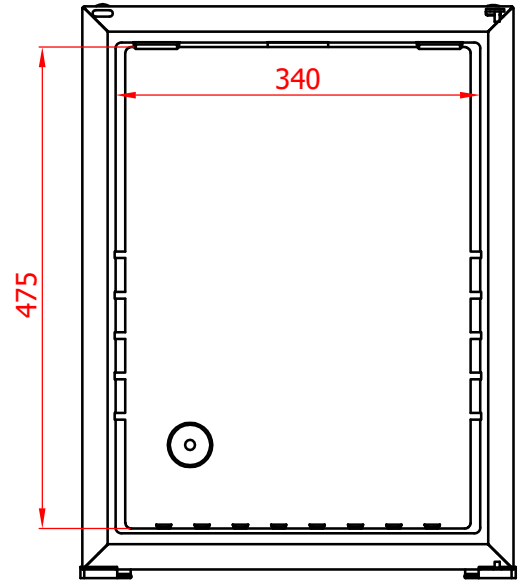
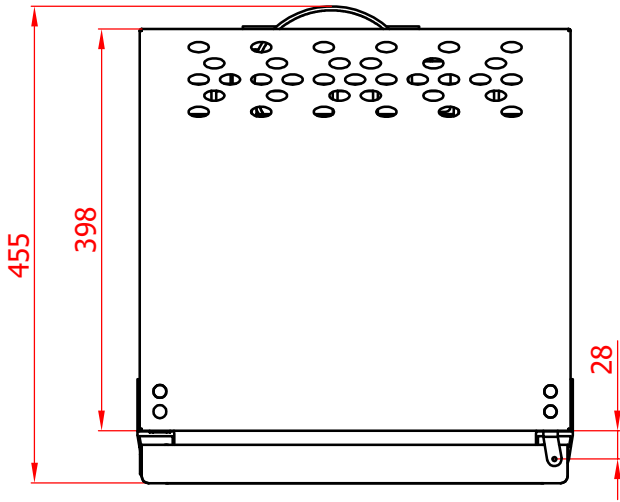
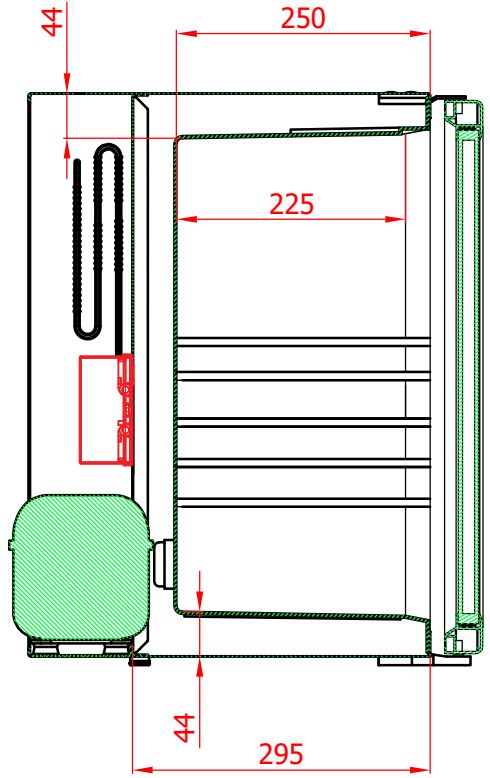


A-A (1)



DO NOT MEASURE ON THE DRAWING!

Bu Döküman Aikon Day.Tük.Mal.Ve Otel Ekip.Tic.San. Ltd.Şti. Aittir İzin Alınmadan Çoğaltılamaz,İçeriği açıklanamaz.
This document is property of Aikon Day.Tük.Mal.Ve Otel Ekip.Tic.San.Ltd.Şti. can not be copied distributed or disclosed to third parties without authorization.

NAME/SURNAME	DATE	SIGN	NAME	DOCUMENT NO	01
DRAWING	AHMET EYÜP İŞLER	16.09.2021	MBA45G INV GENERAL DIMENSIONS	RELEASE DATE	
CONTROL	İRFAN KARAKUŞ	16.09.2021		REVISION NO	001
APPROVE	İRFAN KARAKUŞ	16.09.2021		REVISION DATE	15.11.2019
DRAWING NUMBER			04	PAPER	A4
STOCK CODE				SCALE	1:1
			ANGLES= ,0=+/-	UNIT	mm
				PAGE NO	1